



ARISTON

SPARE PARTS EXPLODED VIEW STORAGE ELECTRIC WATER HEATERS

Model

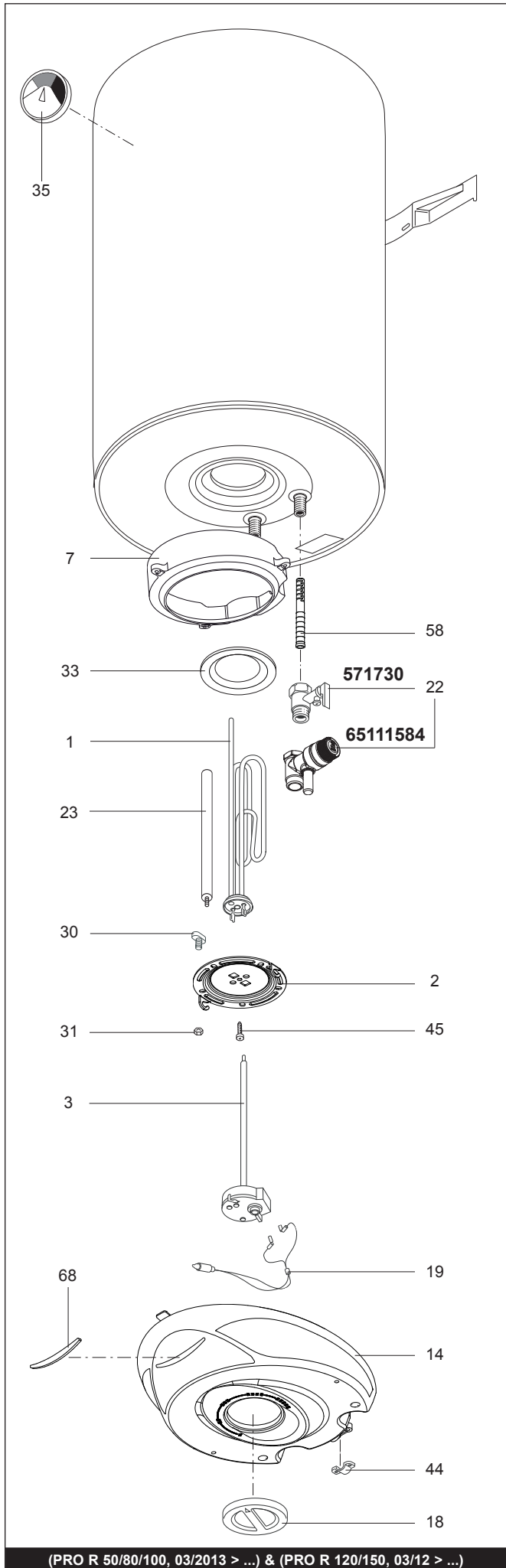
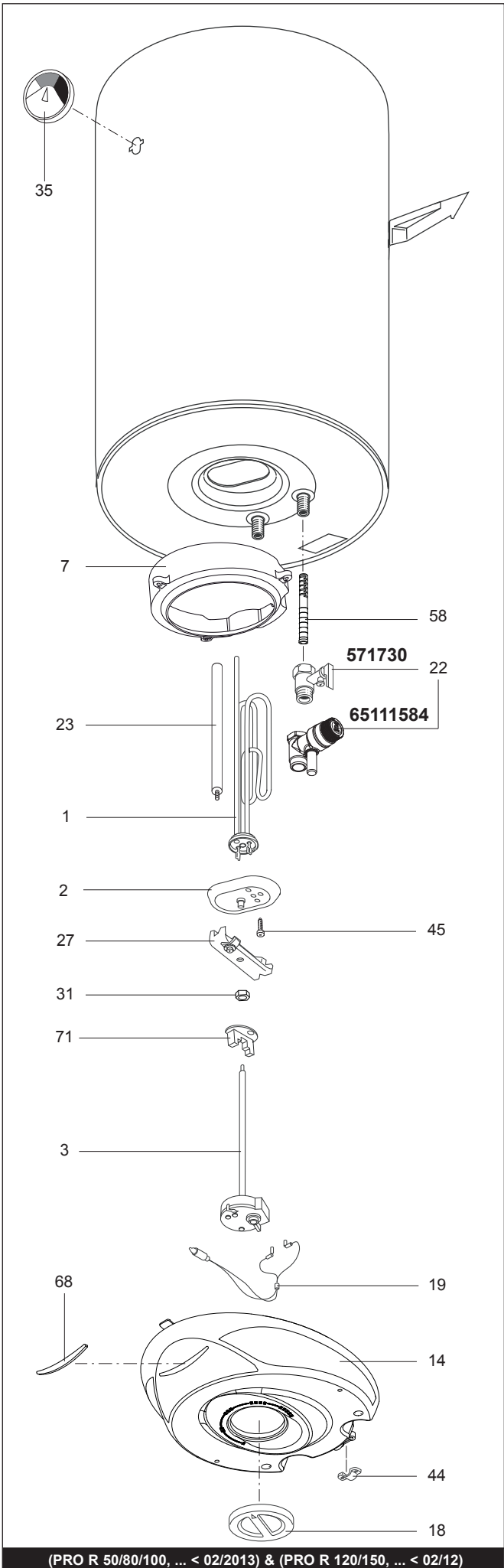
PRO R CZ

R8216726-05 - 04/09/2015

PRO R CZ

Storage Electric Water Heaters

1	3200571	PRO R 50 V 2K CZ	06-2011	-
2	3201016	PRO R 50 V 2K CZ EU	08-2015	-
3	3200572	PRO R 80 V 2K CZ	06-2011	-
4	3201017	PRO R 80 V 2K CZ EU	08-2015	-
5	3200573	PRO R 100 V 2K CZ	06-2011	-
6	3201018	PRO R 100 V 2K CZ EU	08-2015	-
7	3700285	PRO R 120 V 2K CZ	03-2011	-
8	3700413	PRO R 120 V 2K CZ EU	08-2015	-
9	3700286	PRO R 150 V 2K CZ	07-2011	-
10	3700414	PRO R 150 V 2K CZ EU	08-2015	-
Col	Reference	Model type	Begin	End



☉⇒	Description	Manf. Pt. N	Type																			From	to
				1	2	3	4	5	6	7	8	9	10	11	12	13	14	15	16	17	18		
0001	HEATING ELEMENT 2000W 228V	65111913			•		•			•			•										
	HEATING ELEMENT 2000W 228V	65111913								•			•							03/12			
	HEATING ELEMENT 2000W 228V	65111913		•		•		•												03/13			
	HEATING ELEMENT 2000W 230V	65109887								•			•								02/12		
	HEATING ELEMENT 2000W 230V	65109887		•		•		•					•								02/13		
0002	FLANGE (5 HOLES)	65111789			•		•		•				•						•				
	FLANGE (5 HOLES)	65111789								•			•						•	03/12			
	FLANGE (5 HOLES)	65111789		•		•		•												03/13			
	FLANGE WITH GASKET	65108275								•			•								02/12		
	FLANGE WITH GASKET	65108275		•		•		•													02/13		
0003	THERMOSTAT	65112494			•																		
	THERMOSTAT	65112494		•																	11/12		
	THERMOSTAT	691217		•																	10/12		
	THERMOSTAT	691217				•		•		•		•		•		•		•					
0007	SPLASH PREVENTER	65111549											•		•						02/12		
	SPLASH PREVENTER	65111549		•		•		•													10/12		
	SPLASH PREVENTER	65151745			•		•		•				•		•				•				
	SPLASH PREVENTER	65151745								•			•		•				•	03/12			
	SPLASH PREVENTER	65151745		•		•		•												11/12			
0014	PLASTIC COVER + SIGNAL LAMP CAP	65108467								•			•								02/12		
	PLASTIC COVER + SIGNAL LAMP CAP	65108467		•		•		•													10/12		
	PLASTIC COVER + SIGNAL LAMP CAP	65180061			•		•		•				•		•				•				
	PLASTIC COVER + SIGNAL LAMP CAP	65180061								•			•		•				•	03/12			
	PLASTIC COVER + SIGNAL LAMP CAP	65180061		•		•		•												11/12			
0018	KNOB (REGULATION)	65102598		•	•	•	•	•	•	•	•	•	•	•	•	•	•	•	•				
0019	SIGNAL LAMP	65111550		•	•	•	•	•	•	•	•	•	•	•	•	•	•	•	•				
0022	SAFETY VALVE (1/2" 8 BAR)	65111584		•	•	•	•	•	•														
	SAFETY VALVE WITH LEVER (1/2" 8,5 BAR)	571730								•		•	•	•	•	•	•	•	•				
0023	ANODE D:25,5 L:230 M5-M8	993014-01		•	•	•	•	•	•	•	•	•	•	•	•	•	•	•	•				
0027	FLANGE BRACKET	993011		•						•			•						•		02/12		
	FLANGE BRACKET	993011		•		•		•													02/13		
0030	SCREW M6X20	65151225			•		•		•			•		•					•				
	SCREW M6X20	65151225								•			•		•					03/12			
	SCREW M6X20	65151225		•		•		•												03/13			
0031	LOCK NUT M6	994140			•		•		•				•		•				•				
	LOCK NUT M6	994140								•			•		•				•	03/12			
	LOCK NUT M6	994140		•		•		•												03/13			
	NUT M8	570127								•			•		•						02/12		
	NUT M8	570127		•		•		•													02/13		
0033	FLANGE GASKET	65111788			•		•		•				•		•				•				
	FLANGE GASKET	65111788								•			•		•				•	03/12			
	FLANGE GASKET	65111788		•		•		•												03/13			
0035	THERMOMETER	65108466		•	•	•	•	•	•	•	•	•	•	•	•	•	•	•	•				
0044	CABLE BUSHING	65113517			•		•		•														
	CABLE CLAMP	993154		•		•		•					•		•				•				
	CABLE CLAMP	573266								•			•		•				•				
0045	SCREW M6X12	993000		•	•	•	•	•	•	•	•	•	•	•	•	•	•	•	•				
0058	BAFFLE (1/2" H=72)	65113698			•		•		•			•		•		•		•	•				
	BAFFLE (1/2" H=72)	65113698		•		•		•												03/13			
	BAFFLE (1/2" H=82)	65113700		•		•		•													02/13		
0068	SIGNAL LAMP CAP	65108468		•	•	•	•	•	•	•	•	•	•	•	•	•	•	•	•				
0071	TERMINAL SHIELD (DARK GREEN)	993003								•			•		•						02/12		
	TERMINAL SHIELD (DARK GREEN)	993003		•		•		•													02/13		

LIST OF THE ABBREVIATIONS

HW	: Hot water.
CW	: Cold water.
C	: Ceramic resistance (normal heating).
Ca	: Ceramic resistance (accelerated heating)
TP	: Immersion heater.
1F	: With fittings.
2F	: Without fittings.
3F	: With fittings and another outlet connection.
AMI	: With mixing valve.
SMI	: Without mixing valve.
PUISS	: Power of th appliance.
PN	: Appliance with normal pression.
LP	: Appliance with low pression.
PV	: Appliance with variable power.
PF	: Appliance with fixed power.

IDENTIFICATION PLATE

SERIAL NUMBER

6 Characters :
 Year of manufacture _____ 03 09 08 _____ Manufacturing day
 _____ Month of manufacture

9 Characters :
 Year of manufacture _____ M 12 10 0606 _____ Sequential number
 _____ Month of manufacture

14 Characters :
 SI-V-0B0 45 07 0001
 _____ Sequential number
 _____ Year of manufacture : _____ 6 → 2004
 _____ Month of manufacture : → 25 → January 43 → July 7 → 2005
 _____ Product model 13 → February 29 → August 8 → 2006
 32 → March 40 → September etc ...
 35 → April 38 → October
 39 → May 51 → November
 45 → June 12 → December

15 Characters :
 Year of manufacture _____ 02 11 00001 007843 _____ Code appareil
 _____ Month of manufacture _____ Sequential number

21 Characters :
 Product reference _____ 3200050 XX 08115 0000001 _____ Sequential number
 _____ Year (08) / Manufacturing day (115)

22 Characters :
 Product reference _____ 3200050 XX 070115 0000001 _____ Sequential number
 _____ Year (07) / Month (01) / Manufacturing day (15)